

Barrier washers, Evolution range

WSB5180H, WSB5250H, WSB5350H

Features and benefits

- Pass-through construction to offer the best ergonomics in barrier installations
- External doors with vertical hinges and 175° opening, easy to handle and reversible
- Automatic drum positioning and locking for the loading and unloading operation, offering the best ergonomics and safety for the operators
- Large inner drum doors to make loading and unloading operation easiest than ever
- Compass Pro® controller with a user friendly interface to make the operator's life easy allowing 40 factory and 15 customised wash programs
- Compatible with up to 13 detergent signals as standard to stand the most complicated wash programs
- Suspended construction allowing a 350G extraction to save energy during the drying process
- Feature the Power Balance from Electrolux that ensures the best extraction whatever the loading conditions are
- New lifters for a better wash result
- Easy program customization via the LPM software from Electrolux

Main options

- End of cycle alarm to give operators the best information
- Double display to better handle the process on the clean side of the laundry
- 4 compartments soap box to use liquid or powder detergents
- Stainless steel body to better stand the aggressive environments
- Integrated weighing system to optimise the loading operations
- 3rd water inlet valve to use soft water



Images shown are a representation of the product only and variations may occur.

Main specifications				WSB5180H			WSB5250H			WSB5350H		
Max. capacity	filling factor 1:1	kg/lb		18/40			25/55			35/77		
	filling factor 1:10	kg/lb		20/44			27/60			38/84		
Drum,	volume	litre		180			250			350		
	diameter	ø mm		770			770			770		
Extraction		rpm		910			910			910		
G-factor				350			350			350		
Heating alternatives, 380-400V	electricity	kW		13.5			18			27		
	steam	kg/h		9			12			16		
	gas	Btu/h		136600			136600			136600		
Consumption data "Cotton eco" *				El	Steam	Gas	El	Steam	Gas	El	Steam	Gas
Water consumption (cold)		litre		165	165	185	230	230	250	322	322	342
Energy consumption (motor/heating)		kWh		N/A	0.5	0.7	6	0.6	0.8	9.2	0.7	0.95
Steam consumption		kg		-	9	-	-	12	-	-	16	-

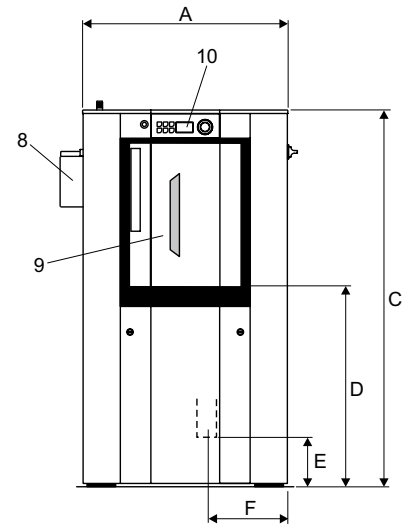
* 1 wash, 2 rinses.

Electrical connections*					
Heating alternative	Main voltage		Heating power kW	Total power kW	Recommended fuse A
	Hz	Hz			
WSB5180H					
Electric heated	400-415V 3 -	50/60	13.5	15	3 x 32
Steam heated	400-415V 3 -	50/60	-	6	3 x 16
Gas heated	400-415V 3 -	50/60	40	6.3	3 x 16
WSB5250H					
Electric heated	400-415V 3 -	50/60	18	19.5	3 x 40
Steam heated	400-415V 3 -	50/60	-	6.2	3 x 16
Gas heated	400-415V 3 -	50/60	40	6.5	3 x 16
WSB5350H					
Electric heated	400-415V 3 -	50/60	27	28.8	3 x 50
Steam heated	400-415V 3 -	50/60	-	6.4	3 x 16
Gas heated	400-415V 3 -	50/60	40	6.7	3 x 16

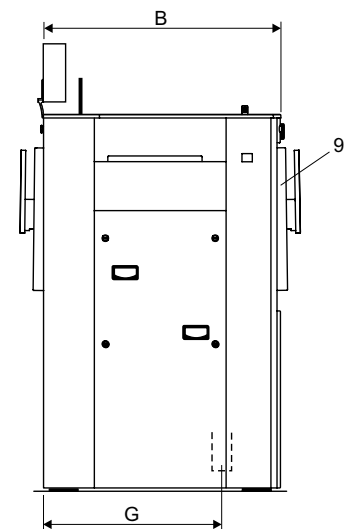
Water, steam, gas and air connections		WSB5180H	WSB5250H	WSB5350H
Water valves	DN	20	20	20
Water pressure	kPa	50-300	50-300	50-300
Capacity at 250 kPa	l/min	70	70	70
Drain valve	∅ mm	75	75	75
Draining capacity	l/min	240	240	240
Steam valve	DN	20	20	20
Steam pressure	kPa	100-600	100-600	100-600
Gas valve	DN	20	20	20
Gas evacuation	∅ mm	125	125	125
Floor requirements				
Frequency of the dynamic force	Hz	15.2	15.2	15.2
Sound levels				
Airborne sound level	dB(A)	72	72	72
Heat emission				
% of installed power, max		3	3	3
Shipping data**				
	net, kg	670	710	770
Shipping volume	m ³	2.34	2.77	3.38
Dimensions in mm				
A	Width	895	1050	1270
B	Depth	1040	1050	1060
C	Height	1620	1620	1620
D		850	850	850
E		215	215	215
F		360	440	550
G		780	780	780
1	Electrical connection	7	Liquid detergent inlet	
2	Cold hard water	8	Detergent container	
3	Hot water	9	Loading door	
4	Cold soft water	10	Control panel	
5	Steam connection	11	Air vent connection	
6	Drain			

* Other voltages available, see installation manual.

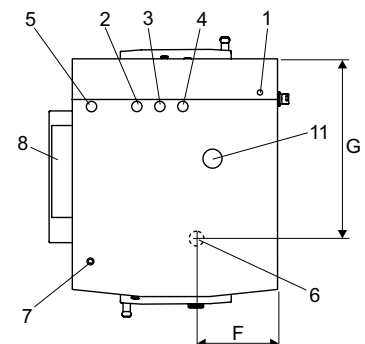
** Average data. Crated weight/shipping volume depends on configuration. Please contact logistics for exact measures.



Front view



Side view



Top view