

Tumble dryer

TD6-7



Dryer featuring exceptional savings and effortless use



Priority on people

Certified ergonomic design with a human-centered approach for an outstanding user experience

- Lint filter
The horizontal filter drawer is positioned for easy access and cleaning without the need to bend down when stacked on a WH6-6.
- The display can easily be moved to the bottom of the tumble dryer for a better position when stacked.



Long-term savings

Innovative features to save money and time, and embrace a sustainable lifestyle.



Pure control

Monitor your equipment and performance from anywhere, allowing to take action and to improve your business with OnE Laundry - the personal assistant for hygiene validation management, process management and revenue management.



Outstanding productivity

Dry more laundry in less time: a game-changing improvement

- Reversing drum
Minimizes wrinkles and drying time to get an effective and even drying performance.

Main options and accessories

- Insulated glass door keeps the door cool on the outside and heat on the inside, so the room temperature is not affected.
- Lagoon Advanced Care
- Door, front and side panels are available in stainless steel.
- Connectable to booking-/payment system or coin meter.
- Stacking kit
- Moisture Balance
Helps to stop the drying process at the right time to save on energy costs.



Images shown are a representation of the product only and variations may occur.

Main specifications			TD6-7	
Rated capacity, filling factor 1:18		kg/lb	7.5/16.5	
	filling factor 1:22	kg/lb	6.0/13.2	
Drum volume		litre	135	
Drum diameter		mm	575	
Heating,	electric	kW	6.0	
	gas	BTU/h (kW)	23900 (7.0)	
Consumption data*			El	Gas
Total time full load		min	31.0	30.2
Energy consumption full load		kWh	3.23	3.65
Evaporation		g/min	99	101
Energy kWh/litre water evaporated		kWh/l	1.06	1.20

* At rated capacity 1:22, 100% cotton load at 50% initial moisture dried to 0%.

Produced according to ISO 9001 and ISO 14001.

Certified with CB certificate for Low Voltage Directive and S-mark according to the Machinery Directive. Protection class IP X4D.

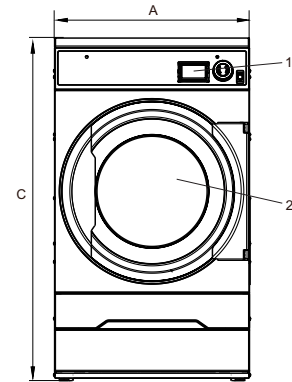
Electrical connections					
Heating alternative	Main voltage		Heating power kW	Total power kW	Recommended fuse A
		Hz			
Electric heated	220-240V 1 -	50/60	4.5/6.0	4.8/6.3	25/35
	220-230V 3 -	50/60	4.5/6.0	4.8/6.3	16/20
	240V 3 -	50/60	4.5/6.0	4.8/6.3	16/16
	380-400V 3 -	50/60	4.5/6.0	4.8/6.3	10/16
	415/440/480V 3 -60		4.5/6.0	4.8/6.3	10/10
Gas heated	220-480V 1/3 -	50/60	*	0.3	10

* Total power and recommended fuse does not depend on the heating power in those cases.

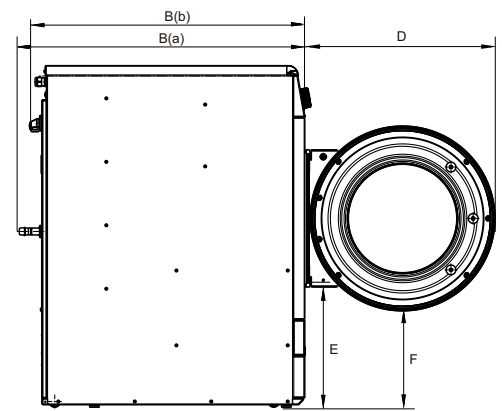
Gas and air connections			TD6-7
Gas		ISO 7/1-R	1/2"
Gas pressure	Natural gas	Pa	2000
		mbar	20
	Propane	Pa	2800-5000
		mbar	28-50
Air outlet		ø mm	100
Evacuated air,	el 6.0 kW	m ³ /h	190
	gas 7.0 kW		240
Pressure drop	el 6.0 kW	Max. Pa	
	gas 7.0 kW		
Sound levels			
Sound power/pressure level at drying*		dB(A)	63/48
Heat emission			
% of installed power, max			15
Shipping data**			
Weight		net, kg	58
Shipping volume		crated, m ³	
Dimensions in mm			
A	Width		600
B(a)	Depth, el		845
B(b)	Depth, gas		877
C	Height		1050
D			582
E			384
F			296
G			79
H			50
I			98
J			118
K			90
L			522
1	Operating panel		
2	Door opening ø 392 mm		
3	Electrical connection		
4	Exhaust connection		
5	Gas connection		

* Sound power levels measured according to ISO 60704.

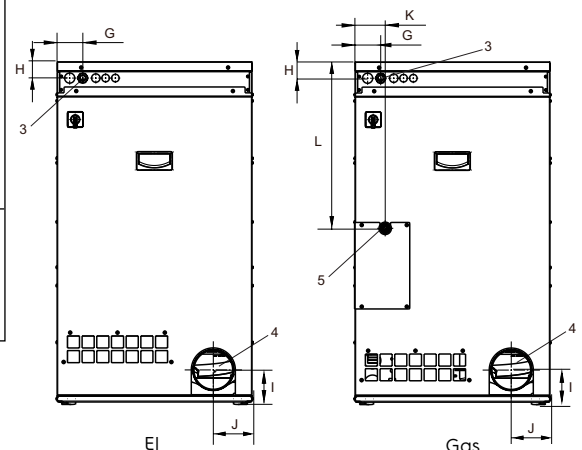
** Average data. Crated weight/shipping volume depends on configuration. Please contact logistics for exact measures.



Front



Left side



Rear side